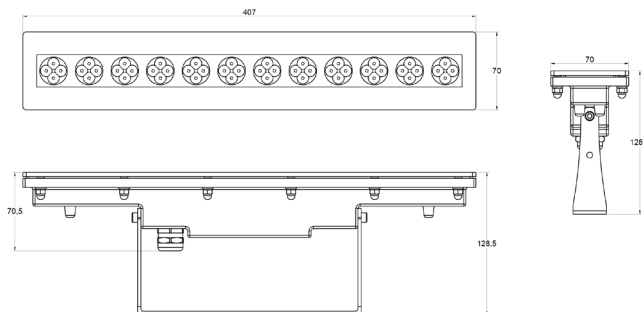


# UL316-Linear-RW-60



**60W - RGBW-DMX - 24VDC**  
**SUBMERSIBLE**  
**CAST 316L SS**  
**REPLACEABLE LEDS**  
**UL CERTIFIED**

Cast 316L Stainless Steel - Replaceable LEDs  
 Removable Yoke, Optional Tripod  
 Submersible Installation  
 Flush Mount Face Ring



**Specification**

**Description**

Input voltage	24VDC
Output power	60 watts (12 module groups)
Rendering Index	>70rA (warm white)
Beam angle	10°, 30, 60 Clear and Bead
LEDs	<b>Replaceable</b> - Internal Driver
Material	<b>Cast 316L Stainless Steel</b> Silicone gasket - tempered glass lens
Face ring	316L Flush Mount
Color options	RGBW-DMX
White	CREE-XPE - 2700K to 6500K
LEDs operating life	> 50,000 hours
IP rating	<b>IP68 - Certified Submersible</b>
Cable	9 ft. SOW - Cable can be ordered longer
Dimensions	407mm (16") L x 70mm (2.75") W x 128.5mm (5") H with yoke
Certifications	cULus CSA22.2 no.89
Installation	Submersible, optional tripod

