

Q-SET-eLED

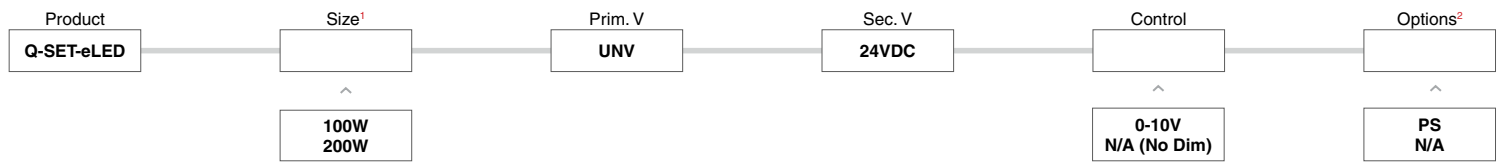
LED POWER SUPPLY 100W-200W



Q-SET-eLED is Q-Tran's direct burial and outdoor rated electronic power supply, utilizing a electronic driver from Thomas Research. These drivers provide a 24VDC, constant voltage output, with optional 0-10V dimming modules.



Part Number Builder



Technical Information

¹ Size

Size	Max Load (Watts)	Secondary Voltage (24VDC)	Max Prim Amps @ 120V	Max Prim Amps @ 277V
100W	1x100W	24VDC	1.1A	0.5A
200W	2x100W	24VDC	2.2A	1.0A

² Options

PS Pool & Spa

Voltage Drop Chart

VDC	Watts (W)	10 AWG (5.6mm ²)	12 AWG (3.3mm ²)	14 AWG (3.0mm ²)	16 AWG (1.3mm ²)	18 AWG (0.78mm ²)	20 AWG (0.50mm ²)	22 AWG (0.33mm ²)	24 AWG (0.22mm ²)	26 AWG (0.13mm ²)
24	17	1795'	1129'	710'	446'	281'	177'	111'	70'	44'
	25	1134'	713'	449'	282'	177'	112'	70'	44'	28'
	40	619'	389'	245'	154'	97'	61'	38'	24'	15'
	80	261'	164'	103'	65'	41'	26'	16'	10'	6'
	100	168'	106'	67'	42'	26'	17'	10'	7'	

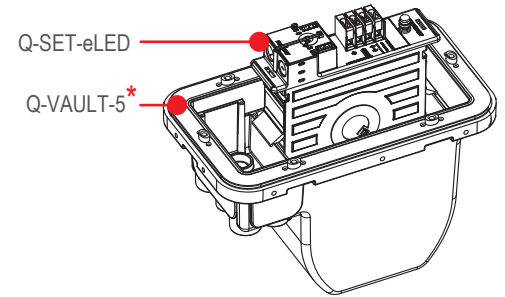
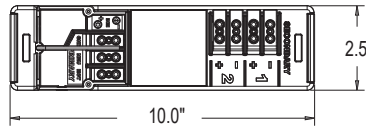
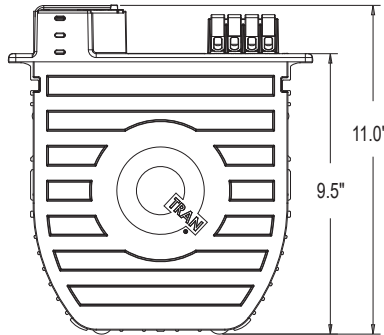
*Distances are based on a 5% Voltage drop max.

- This product must be installed in accordance with the applicable installation code by a person familiar with the construction and operation of the product and the hazards involved
- If dimming with optional 0-10V dimming module, use a dimmer rated for 0-10V operation



Q-SET-eLED

LED POWER SUPPLY 100W-200W



(Must be purchased with Q-VAULT-5)

* One Q-VAULT-5 can fit two Q-SET-eLED

Housing

- Dimensions: 11.0"L x 10.0"W x 2.5"D
- Q-VAULT-5 enclosure can fit up to two Q-SET-eLED
- Q-VAULT-5 is IP68 rated

Performance

- Power supply shall be rated for outdoor and direct burial use in Q-VAULT-5 IP68 Listed direct burial enclosure
- Fully rated to operate low voltage load at listed wattage (No Derating Required)
- Limit voltage regulation to 5% or less of rated output voltage
- Universal input range of 120-277 Vrms
- Rated for:
 - CSA Class 3425 15 and Class 3425 95 - Landscape Lighting System Components
 - CSA Class 3426 04 and Class 3426 94 - Low Voltage Lighting Systems
- Terminal blocks shall be made of tin plated copper with a voltage rating of 300V and a current rating of 50A
- Short Circuit Protection (SCP)
- Overload Protection (OLP)
- Live tested by manufacturer to ensure proper operation
- Housing for direct burial fixtures shall be IP68 Rated, with all sealing materials supplied by the manufacturer
- Housing for direct burial fixtures shall be rated for burial in soil, gravel and concrete

- Limited output voltage and current, plus isolation for safe operation
- Dimmable w/additional 0-10V dimming module
- Fully potted driver(s) for moisture resistance
- Suitable for dry, damp, and wet locations
- Primary voltage - universal (120-277V)
- Wide operating temperature range: 4°F to 104°F
- Fits up to (3): 100W 24VDC driver(s) and 0-10V dimming module(s) in the same housing

- 5 year warranty
- Class 2 output
- CSA #239924

Low Voltage Lighting Systems

: CSA Class 3426-04 and Class 3426-94
: CSA Standard C22.2 No. 250.0-08 - Luminaires
: ANSI/ UL Standard 2108 - Low Voltage Lighting System

Landscape Lighting Systems

: CSA Class 3425-15 and Class 3425-95
: CSA Standard C22.2 No. 250.7-07 - Extra-Low-Voltage Landscape Lighting Systems
: ANSI/ UL Standard 1838 - Low Voltage Landscape Lighting Systems
: ANSI/ UL Standard 379-Power Units for Fountain, Swimming Pool, and Spa Luminaires



Specifications

Input	24VDC		
Input Voltage (Vrms)	120	230	277
Input Current, max (Arms)	0.98	0.51	0.42
Inrush Current, max* (Apk)	45	90	100
Input Frequency (Hz)	50/60		
Input Power (W)	177		

Output	24VDC
Output Voltage, nom (V)	24
Output Current (A)	4.1
Output Power (Wmax)	100
Dimming 0-10V, max	2mA

Environmental	Min	Nom	Max
THD (%)	---	---	20
PF (%)	0.90	---	---
Case Temp (°C)	---	---	90

*- 200us event

Protections

- Short Circuit Protection (SCP)
- Overload Protection (OLP)

Compliance

- EMI Spec : FCC 47 Part 15
: CISPR 15
: CISPR 22 Class A
- CSA Certified : UL-2108
: UL-8750
: CSA C22.2 No 250.7-07
: CSA C22.2 No 250.0-08

