

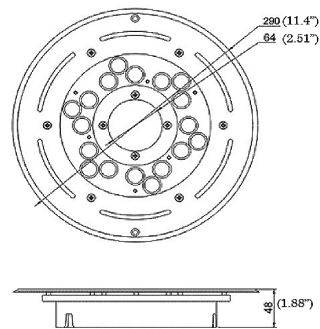
UL316RS-72

72W (18 X 4W) - RGBW - 24VDC
SUBMERSIBLE
CAST 316L SS
REPLACEABLE LEDS
UL CERTIFIED FOR SWIMMING POOLS

Cast 316L Stainless Steel - Replaceable LEDs
 Submersible Installation
 SS Flush Mount Face Ring - 2 styles
 Center opening 2.51" - 3 x SS bolts for pipe mount



Optional reduced face ring 8.7" D



Specification	Description
Input voltage	24VDC
Output power	72 watts (18X4W)
Rendering Index	>70rA (warm white)
Beam angle	20°, 45, 60, 90 - Bead lens 30, 60, 90
LEDs	Replaceable - Internal Driver
Material	Cast 316L Stainless Steel Silicone gasket - tempered glass lens
Face ring	316L SS Flush Mount - Slab hanger or Standard ring
Color options	RGBW (3000K, 4000K, 6000K)
White	CREE-XPE - 2700K to 6500K
LEDs operating life	> 50,000 hours
IP rating	IP68 - Certified Submersible
Cable	9 FEET - SOW 18/5 Longer cable can be ordered
Dimensions	Diameter 11.4" x 1.88" or 8.7" x 1.88'
Certifications	cULus CSA22.2 no.89 - including swimming pools and splash pads - meets 680 standards
Installation	Submersible (center opening 2.51")- 3 x SS bolts for pipe mount

