

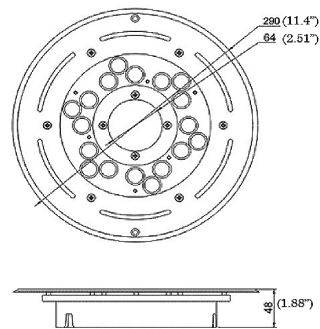
# UL316RS-54

**54W (18 X 3W) RGB-DMX - 24VDC**  
**SUBMERSIBLE**  
**CAST 316L SS**  
**REPLACEABLE LEDS**  
**UL CERTIFIED FOR SWIMMING POOLS**

Cast 316L Stainless Steel - Replaceable LEDs  
 Submersible Installation  
 SS Flush Mount Face Ring - 2 styles  
 Center opening 2.51" - 3 x SS bolts for pipe mount



Optional reduced face ring 8.7" D



Specification	Description
Input voltage	24VDC
Output power	54 watts (18X3W)
Rendering Index	>70rA (warm white)
Beam angle	10°, 30, 45, 60, 90 - Bead lens 15, 30, 60, 90
LEDs	<b>Replaceable</b> - Internal Driver
Material	<b>Cast 316L Stainless Steel</b> Silicone gasket - tempered glass lens
Face ring	316L SS Flush Mount - Slab hanger or Standard ring
Color options	RGB-DMX
White	CREE-XPE - 2700K to 6500K
LEDs operating life	> 50,000 hours
IP rating	<b>IP68 - Certified Submersible</b>
Cable	9 FEET - SOW 18/5 Longer cable can be ordered
Dimensions	Diameter 11.4" x 1.88" or 8.7" x 1.88'
Certifications	cULus CSA22.2 no.89 - including swimming pools and splash pads - meets 680 standards
Installation	Submersible (center opening 2.51")- 3 x SS bolts for pipe mount

