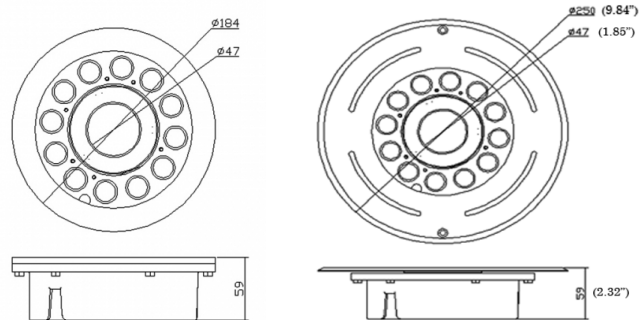




# UL316RS-36

**36W (12 X 3W) - RGB-DMX - 12VAC/24VDC**  
**OPTIONAL 48W (12 X 4W) - RGB - 24VDC**  
**SUBMERSIBLE OR DRY**  
**CAST 316L SS**  
**REPLACEABLE LEDS**  
**UL CERTIFIED FOR SWIMMING POOLS**

Cast 316L Stainless Steel - Replaceable LEDs  
 Submersible or Dry Installation  
 SS Flush Mount Face Ring - Center opening 1.85"  
 3 x SS bolts for pipe mount



**Specification**

**Description**

Input voltage	12VAC or 24VDC - 48W - 24VDC only
Output power	36 watts (12X3W) - optional 48 watts (12x4W)
Rendering Index	>70rA (warm white)
Beam angle	10°, 30, 45, 60, 90 - Bead lens 15, 30, 60, 90
LEDs	<b>Replaceable</b> - Internal Driver
Material	<b>Cast 316L Stainless Steel</b> Silicone gasket - tempered glass lens
Face ring	316L SS Flush Mount
Color options	RGB-DMX optional RGBW (3000K, 4000K, 6000K)
White	CREE-XPE - 2700K to 6500K
LEDs operating life	> 50,000 hours
IP rating	<b>IP68 - Certified Submersible or Dry</b>
Cable	9 FEET - SOW 18/5 Longer cable can be ordered
Dimensions	Diameter 9.8"x 2.3" center opening 1.85"
Certifications	cULus CSA22.2 no.89 - including swimming pools and splash pads - meets 680 standards
Installation	Submersible or Dry - 3 x SS bolts for pipe mount

