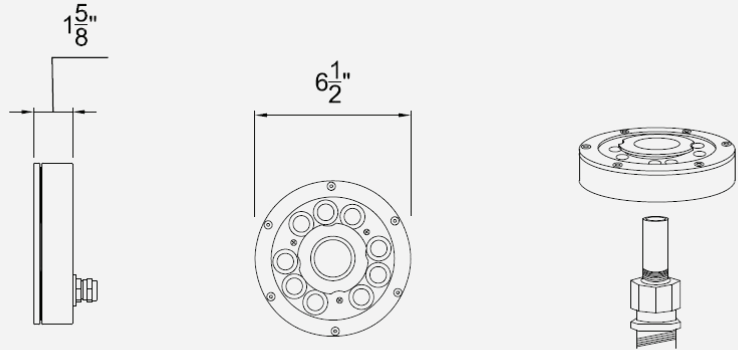


# UL316R-27

**27W (9 X 3W) - RGB-DMX - 12AC/24DC**  
**SUBMERSIBLE OR DRY**  
**CAST 316L SS**

Cast Stainless Steel - Replaceable LEDs  
 Wet or Dry Installation  
 Matte Finish Face Ring or Mirror Polish



## Specification

## Description

Input voltage	12VAC or 24VDC
Output power	27 watts (9X3W) - optional 24watts (6x4W) RGBW-25° lens
Luminous flux output	100 to 110 lm/W
Rendering index	>70rA (warm white)
Beam angle	10-15 degrees - optional 25,45,60,90
LEDs	Replaceable - Internal Driver
Material	Cast 316L STAINLESS STEEL silicone gasket - tempered glass lens
Face ring	Standard 'sparkle matt' SS or mirror polish w/ niche
Color option	RGB-DMX
White	CREE- XPE - 2700K TO 6500K
LEDs operating life	> 50,000 hours REPLACEABLE LEDs
IP rating	IP68 - CERTIFIED SUBMERSIBLE OR DRY
Cable	9 FEET- SOW 18/5 - longer lengths can be ordered
Dimensions	Diameter 6.3"x 1.4"
Certification	cULus CSA22.2 no.89 - including swimming pools and splash pads
Installation	Submersible or Dry

