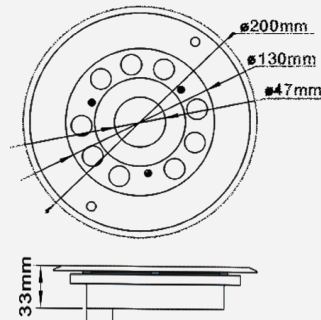


UL316R-27EF

**9 X 3W - RGB-DMX -12VAC/24VDC
DRY OR SUBMERSIBLE INSTALLATION
CAST 316L SS - RING LIGHT**

Certified for swimming pools
and splash pads



Specification	Description
Input voltage	12VAC or 24VDC
Output power	27 watts (9X3W)
Luminous flux output	100 to 110 lm/W
Rendering index	>70rA (warm white)
Beam angle	10, 30, 45, 60, 90
LEDs	Replaceable - Internal Driver
Material	Cast 316L STAINLESS STEEL silicone gasket - tempered glass lens
Face ring	Mirror polished SS flush with glass
Color option	RGB-DMX or White
White	CREE- XPE - 2700K TO 6500K
LEDs operating life	> 50,000 hours REPLACEABLE LEDs
IP rating	IP68 - CERTIFIED SUBMERSIBLE OR DRY
Cable	9 FEET- SOW 18/5 - longer lengths can be ordered
Dimensions	Diameter 7.87"x1.29"H-nozzle opening 1.85"
Certification	cULus CSA22.2 no.89 - including swimming pools and splash pads
Installation	Submersible or Dry
Weight	3.2kgs

