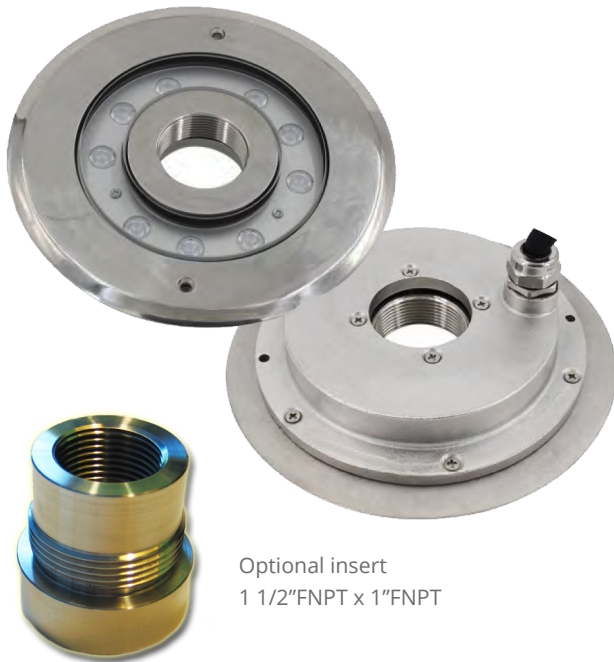


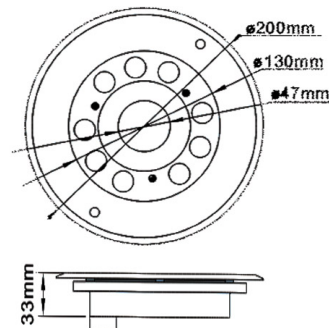
UL316R-27EF

27W (9 X 3W) - RGB-DMX - 12VAC/24VDC
SUBMERSIBLE OR DRY
CAST 316L SS
REPLACEABLE LEDS
UL CERTIFIED FOR SWIMMING POOLS

Cast 316L Stainless Steel - Replaceable LEDs
 Submersible or Dry Installation
 SS Flush Mount Mirror Polish Face Ring
 Optional threaded center adapter to fit 1" nozzle, 1 1/2" pipe



Optional insert
 1 1/2" FNPT x 1" FNPT



Specification	Description
Input voltage	12VAC or 24VDC
Output power	27 watts (9X3W)
Rendering Index	>70rA (warm white)
Beam angle	10°, 25 - Bead lens 10, 30, 45, 60
LEDs	Replaceable - Internal Driver
Material	Cast 316L Stainless Steel Silicone gasket - tempered glass lens
Face ring	316L SS Flush Mount
Color options	RGB-DMX or White
White	CREE-XPE - 2700K to 6500K
LEDs operating life	> 50,000 hours
IP rating	IP68 - Certified Submersible or Dry
Cable	9 FEET - SOW 18/5 Longer cable can be ordered
Dimensions	Diameter 7.87"x1.29"H - center opening 1.85"
Weight	3.2kgs
Certifications	cULus CSA22.2 no.89 - including swimming pools and splash pads - meets 680 standards
Installation	Submersible or Dry - optional threaded center adapter to fit 1" nozzle, 1 1/2" pipe

