

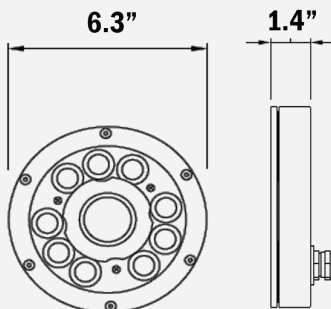
UL316R-24

24W (6 X 4W) - RGB-DMX - 12AC/24DC
SUBMERSIBLE OR DRY
CAST 316L SS

Cast Stainless Steel - Replaceable LEDs
 Wet or Dry Installation
 Matte Finish Face Ring or Mirror Polish



OPTIONAL INSERT
1 1/2" FNPT X 1" FNPT



Specification	Description
Input voltage	12VAC or 24VDC
Output power	24 watts (6X4W) - RGBW-DMX
Luminous flux output	100 to 110 lm/W
Rendering index	>70rA (warm white)
Beam angle	25° lens OPTIONAL 45°
LEDs	Replaceable - Internal Driver
Material	Cast 316L STAINLESS STEEL silicone gasket - tempered glass lens
Face ring	Standard 'sparkle matt' SS or mirror polish w/ niche
Color option	RGBW (4000K or 6000K)
LEDs operating life	> 50,000 hours REPLACEABLE LEDs
IP rating	IP68 - CERTIFIED SUBMERSIBLE OR DRY
Cable	9 FEET- SOW 18/5 - longer lengths can be ordered
Dimensions	Diameter 6.3"x 1.4"H
Certification	cULus CSA22.2 no.89 - including swimming pools and splash pads
Installation	Submersible or Dry

