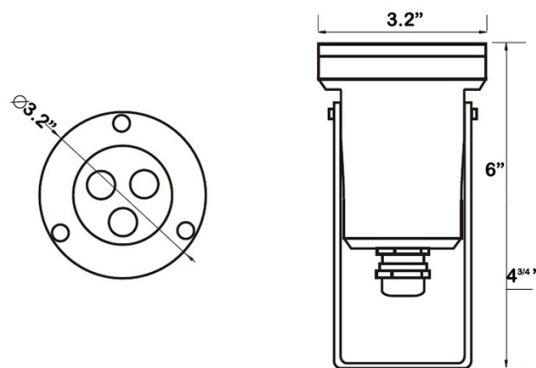


UL316-9A



9W (3 X 3W) - RGB-DMX - 12VAC/24VDC
SUBMERSIBLE OR DRY
CAST 316L SS
REPLACEABLE LEDS
UL CERTIFIED FOR SWIMMING POOLS

Cast 316L Stainless Steel - Replaceable LEDs
 Removable Yoke, optional tripod, custom extension post
 Submersible or Dry Installation
 Flush Mount Face Ring
 SS Niche optional



| Specification | Description |
|---------------------|--|
| Input voltage | 12VAC or 24VDC |
| Output power | 9 watts (3X3W), optional 10 watts and 12 watts RGBW (see UL316-10RW or UL316-12RW) |
| Rendering Index | >70rA (warm white) |
| Beam angle | 10° 20, 45, 60, 90 - Bead lens 25, 40 |
| LEDs | Replaceable - Internal Driver |
| Material | Cast 316L Stainless Steel Silicone gasket - tempered glass lens |
| Face ring | 316L SS Flush Mount |
| Color options | RGB-DMX |
| White | CREE-XPE - 2700K to 6500K |
| LEDs operating life | > 50,000 hours |
| IP rating | IP68 - Certified Submersible or Dry |
| Cable | 9 FEET - SOW 18/5 Longer cable can be ordered |
| Dimensions | Diameter 3.2"x 6"H with yoke |
| Certifications | cULus - CSA22.2 no.89 - including swimming pools and splash pads - meets 680 standards |
| Installation | Submersible or Dry - optional tripod and/or custom height SS extension post |

