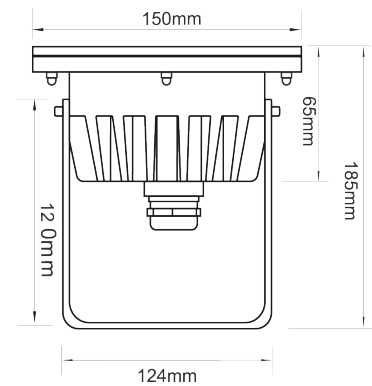
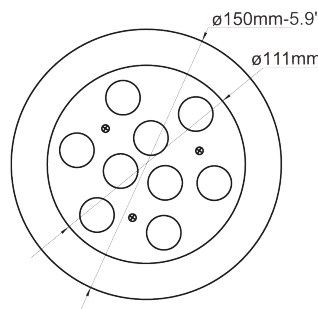


# UL316-32RW



**32W (8 X 4W) - RGBW - 12VAC/24VDC**  
**SUBMERSIBLE OR DRY**  
**CAST 316L SS**  
**REPLACEABLE LEDS**  
**UL CERTIFIED FOR SWIMMING POOLS**

Cast 316L Stainless Steel - Replaceable LEDs  
 Removable Yoke, optional tripod, custom extension post  
 Submersible or Dry Installation  
 Flush Mount Face Ring  
 SS Niche optional



## Specification

## Description

Input voltage	12VAC or 24VDC (24VDC recommended)
Output power	32 watts (8X4W)
Rendering Index	>70rA (warm white)
Beam angle	20°, 45, 60, 90 - Bead lens 30, 60, 90
LEDs	<b>Replaceable</b> - Internal Driver
Material	<b>Cast 316L Stainless Steel</b> Silicone gasket - tempered glass lens
Face ring	316L SS Flush Mount
Color options	RGBW (3000k, 4000k, 6000k)
White	CREE-XPE - 2700K to 6500K
LEDs operating life	> 50,000 hours
IP rating	<b>IP68 - Certified Submersible or Dry</b>
Cable	9 FEET - SOW 18/5 Longer cable can be ordered
Dimensions	Diameter 5.9"x 2.5"
Certifications	cULus - CSA22.2 no.89 - including swimming pools and splash pads - meets 680 standards
Installation	Submersible or Dry - optional tripod and/or custom height SS extension post

