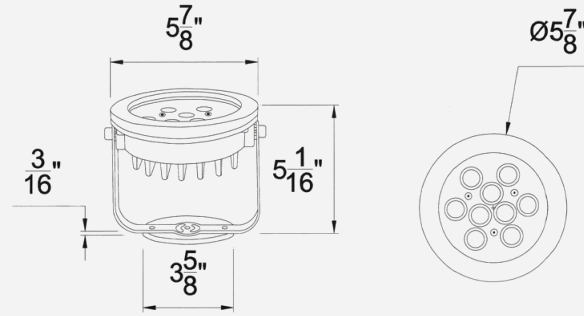




UL316-27

**27W (9 X 3W) - RGB-DMX - 12VAC/24VDC
SUBMERSIBLE OR DRY
CAST 316L SS**

Cast Stainless Steel - Replaceable LEDs
Removable Base, Disc and Yoke
Wet or Dry Installation
Matte Finish Face Ring or Mirror Polish with Niche



Specification

Description

Input voltage	12VAC or 24VDC
Output power	27 watts (9X3W)
Luminous flux output	100 to 110 lm/W
Rendering index	>70rA (warm white)
Beam angle	10-15 degrees - optional 25,45,60,90
LEDs	Replaceable - Internal Driver
Material	Cast 316L STAINLESS STEEL silicone gasket - tempered glass lens
Face ring	Standard 'sparkle matt' SS or mirror polish w/ niche
Color option	RGB-DMX
White	CREE- XPE - 2700K TO 6500K
LEDs operating life	> 50,000 hours REPLACEABLE LEDs
IP rating	IP68 - CERTIFIED SUBMERSIBLE OR DRY
Cable	9 FEET- SOW 18/5 - longer lengths can be ordered
Dimensions	Diameter 5.9"x 2.5"
Certification	cULus CSA22.2 no.89 - including swimming pools and splash pads
Installation	Submersible or Dry

