



UL316-24RW

24W (6X4W) - RGBW - 12VAC/24VDC

DRY OR SUBMERSIBLE

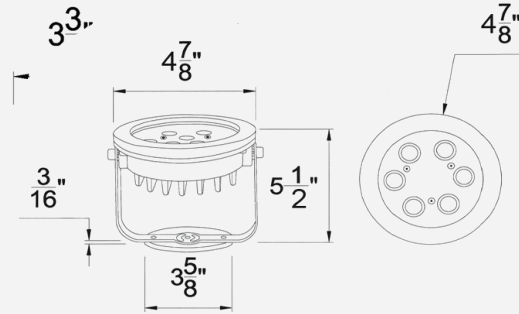
CAST 316L SS

Cast Stainless Steel - Replaceable LEDs

Removable Base, Disc and Yoke

Wet or Dry Installation

Matte Finish Face Ring or Mirror Polish with Niche



Specification	Description
Input voltage	12VAC or 24VDC
Output power	24 watts (6X4W)
Luminous flux output	100 to 110 lm/W
Rendering index	>70rA (warm white)
Beam angle	25° lens OPTIONAL 45°
LEDs	Replaceable - Internal Driver
Material	Cast 316L STAINLESS STEEL silicone gasket - tempered glass lens
Face ring	Standard 'sparkle matt' SS or mirror polish w/ niche
Color options	RGBW (4000K or 6000K)
White	CREE- XPE - 2700K TO 6500K
LEDs operating life	> 50,000 hours REPLACEABLE LEDs
IP rating	IP68 - CERTIFIED SUBMERSIBLE OR DRY
Cable	9 FEET- SOW 18/5 longer lengths can be ordered
Dimensions	Diameter 4 7/8"x 5 1/2"H with yoke
Certification	cULus CSA22.2 no.89 - including swimming pools and splash pads
Installation	Submersible or Dry

