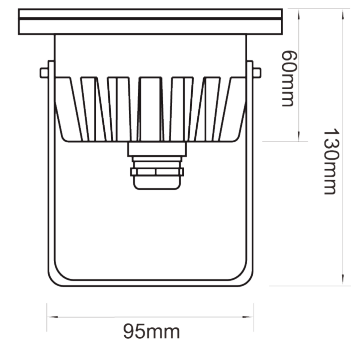
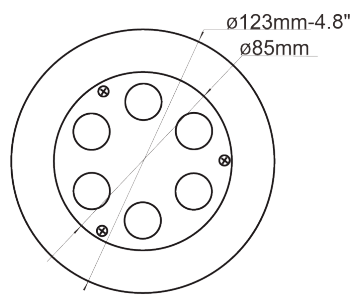


# UL316-24RW



**24W (6 X 4W) - RGBW - 12VAC/24VDC**  
**SUBMERSIBLE OR DRY**  
**CAST 316L SS**  
**REPLACEABLE LEDS**  
**UL CERTIFIED FOR SWIMMING POOLS**

Cast 316L Stainless Steel - Replaceable LEDs  
 Removable Yoke, optional tripod, custom extension post  
 Submersible or Dry Installation  
 Flush Mount Face Ring  
 SS Niche optional



Specification	Description
Input voltage	12VAC or 24VDC
Output power	24 watts (6X4W)
Rendering Index	>70rA (warm white)
Beam angle	20°, 45, 60, 90, Bead lens 30, 60, 90
LEDs	<b>Replaceable</b> - Internal Driver
Material	<b>Cast 316L Stainless Steel</b> Silicone gasket - tempered glass lens
Face ring	316L SS Flush Mount
Color options	RGBW (3000k, 4000K, 6000K)
White	CREE-XPE - 2700K to 6500K
LEDs operating life	> 50,000 hours
IP rating	<b>IP68 - Certified Submersible or Dry</b>
Cable	9 FEET - SOW 18/5 Longer cable can be ordered
Dimensions	Diameter 4 7/8"x 5 1/2"H with yoke
Certifications	cULus - CSA22.2 no.89 - including swimming pools and splash pads - meets 680 standards
Installation	Submersible or Dry - optional tripod and/or custom height SS extension post

