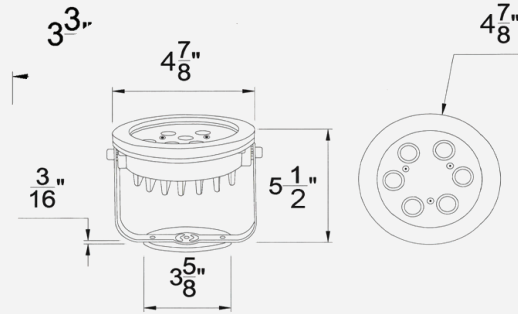




# UL316-18

**18W (6 X 3W) - RGB-DMX - 12VAC/24VDC**  
**DRY OR SUBMERSIBLE**  
**CAST 316L SS**

Cast Stainless Steel - Replaceable LEDs  
 Removable Base, Disc and Yoke  
 Wet or Dry Installation  
 Matte Finish Face Ring or Mirror Polish with Niche



## Specification

## Description

|                      |  |
|----------------------|--|
| Input voltage        | 12VAC or 24VDC   |
| Output power         | 18 watts (6X3W), optional 24watts-RGBW,RGBWW                       |
| Luminous flux output | 100 to 110 lm/W  |
| Rendering index      | >70rA (warm white)   |
| Beam angle           | 10-15 degrees - optional 25,45,60,90(25° for RGBW)                 |
| LEDs                 | Replaceable - Internal Driver                                      |
| Material             | Cast 316L STAINLESS STEEL<br>silicone gasket - tempered glass lens |
| Face ring            | Standard 'sparkle matt' SS or mirror polish w/ niche               |
| Color options        | RGB- DMX, RGBW, RGBWW  |
| White                | CREE- XPE - 2700K TO 6500K   |
| LEDs operating life  | > 50,000 hours REPLACEABLE LEDs                                    |
| IP rating            | IP68 - CERTIFIED SUBMERSIBLE OR DRY                                |
| Cable                | 9 FEET- SOW 18/5 longer lengths can be ordered                     |
| Dimensions           | Diameter 4 7/8"x 5 1/2"H with yoke                                 |
| Certification        | cULus CSA22.2 no.89 - including swimming pools and splash pads     |
| Installation         | Submersible or Dry   |

