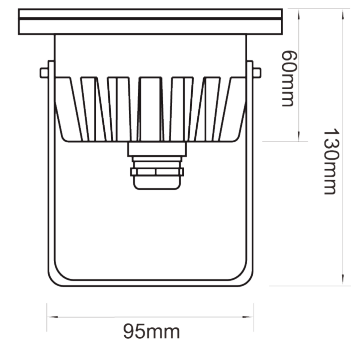
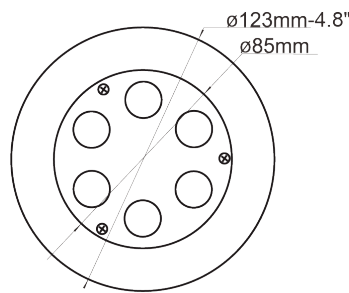


UL316-18



18W (6 X 3W) - RGB-DMX - 12VAC/24VDC
SUBMERSIBLE OR DRY
CAST 316L SS
REPLACEABLE LEDS
UL CERTIFIED FOR SWIMMING POOLS

Cast 316L Stainless Steel - Replaceable LEDs
 Removable Yoke, optional tripod, custom extension post
 Submersible or Dry Installation
 Flush Mount Face Ring
 SS Niche optional



Specification	Description
Input voltage	12VAC or 24VDC
Output power	18 watts (6X3W), optional 24 watts (see UL316-24RW)
Rendering Index	>70rA (warm white)
Beam angle	10° 30, 45, 60, 90 - Bead lens 15, 30, 60, 90
LEDs	Replaceable - Internal Driver
Material	Cast 316L Stainless Steel Silicone gasket - tempered glass lens
Face ring	316L SS Flush Mount
Color options	RGB-DMX
White	CREE-XPE - 2700K to 6500K
LEDs operating life	> 50,000 hours
IP rating	IP68 - Certified Submersible or Dry
Cable	9 FEET - SOW 18/5 Longer cable can be ordered
Dimensions	Diameter 4 7/8"x 5 1/2"H with yoke
Certifications	cULus - CSA22.2 no.89 - including swimming pools and splash pads - meets 680 standards
Installation	Submersible or Dry - optional tripod and/or custom height SS extension post

