

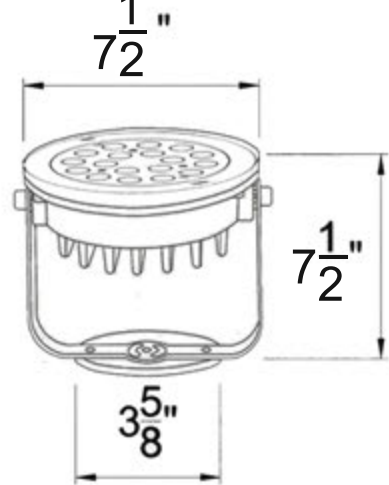


UL316-54

**54W(18 X 3W) - RGB-DMX -
24VDC**

**Dry or Submersible
Replaceable LEDs**

Cast 316L SS



Specifications

Input voltage	24VDC
Output power	54 watts (18X3W)
Luminous flux output	100 to 110 lm/W
Rendering Index	>70rA (warm white)
Beam angle	10-15 degrees - optional 25,45,60,90
LEDs	Replaceable - Internal Driver
Material	Cast 316L STAINLESS STEEL silicone gasket - tempered glass lens
Face ring	Standard 'sparkle matt' SS or mirror polish w/ niche
Color options	RGB-DMX
White	CREE- XPE - 2700K TO 6500K
LEDs operating life	> 50,000 hours REPLACEABLE LEDs
IP rating	IP68 - CERTIFIED SUBMERSIBLE OR DRY
Cable	9 FEET- SOW 18/5 longer lengths can be ordered
Dimensions	Diameter 7 1/2"x 7 1/2"H with yoke
Certifications	cULus CSA22.2 no.89 - including swimming pools and splash pads
Installation	Submersible or Dry

