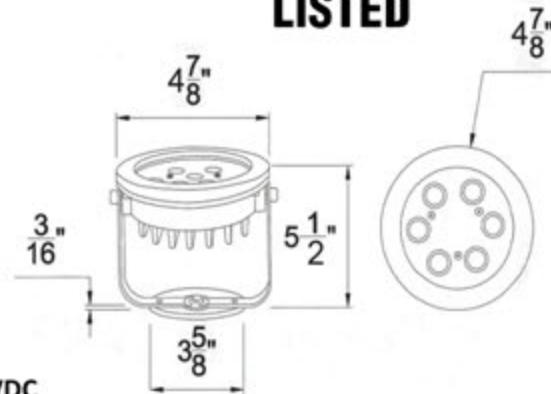




*Optional tripod

UL316-24RW

24W (6X4W) 12VAC or 24VDC
Submersible or Dry
CAST 316L-SS



Specifications

Input voltage	12VAC or 24VDC
Output power	18 watts (6X3W), optional 24watts-RGBW,RGBWW
Luminous flux output	100 to 110 lm/W
Rendering Index	>70rA (warm white)
Beam angle	10-15 degrees - optional 25,45,60,90(25° for RGBW)
LEDs	Replaceable - Internal Driver
Material	Cast 316L STAINLESS STEEL
	silicone gasket - tempered glass lens
Face ring	Standard 'sparkle matt' SS or mirror polish w/ niche
Color options	RGB- DMX, RGBW,RGBWW
White	CREE- XPE - 2700K TO 6500K
LEDs operating life	> 50,000 hours REPLACEABLE LEDs
IP rating	IP68 - CERTIFIED SUBMERSIBLE OR DRY
Cable	9 FEET- SOW 18/5 longer lengths can be ordered
Dimensions	Diameter 4 7/8"x 5 1/2"H with yoke
Certifications	cULus CSA22.2 no.89 - including swimming pools and splash pads
Installation	Submersible or Dry

